



# Advanced Repair Technology, Inc.

*The Science of Repair*

## GLAZE-EASY 601

# Squeegee Tool • Quick Instructions

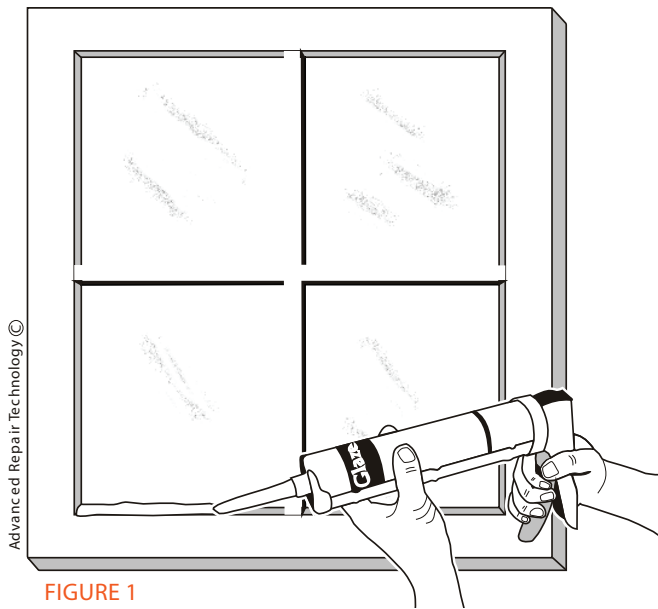


FIGURE 1

1 - Apply desired amount of Glaze-Ease 601 into glass rabbet.  
Smooth side down.

2 - Place entire edge of tool on glass.  
Placing entire edge of tool on glass will avoid a "wind row",  
keep the glass clean, and reduce product waste.

3 - Angle tool to form desired bevel.  
Pull tool towards you.

#### Helpful Hints:

To create a sharp inside corner,  
lift edge and "form" the corner.

Keep tool clean when working.

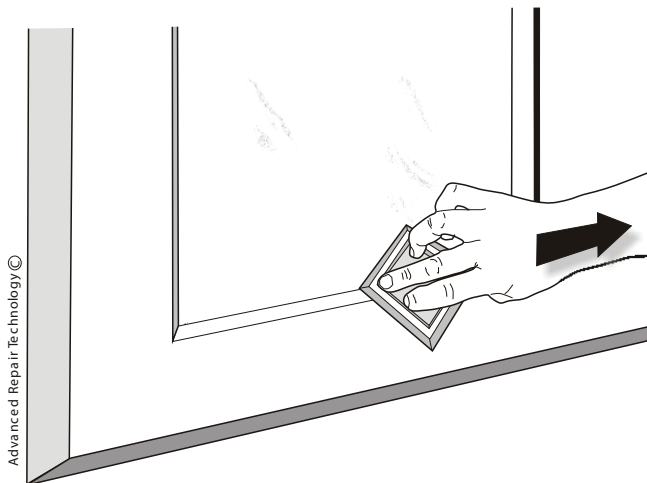


FIGURE 2

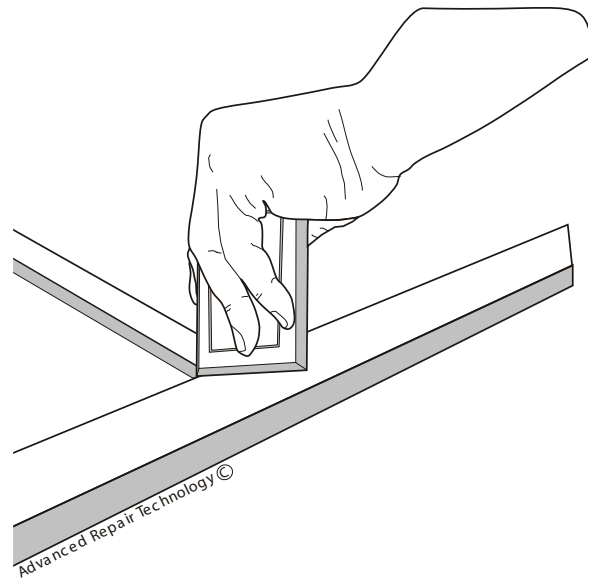


FIGURE 3

VISIT US ON THE WEB!

[WWW.ADVANCEDREPAIR.COM](http://WWW.ADVANCEDREPAIR.COM) FOR TECH SUPPORT & HOW TO DEMOS